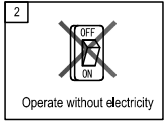
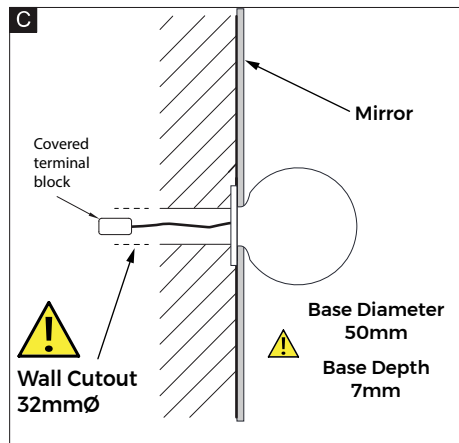
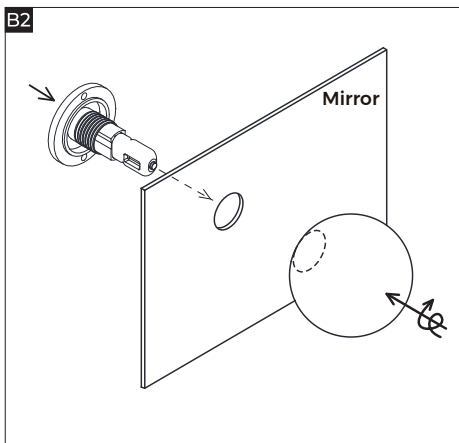
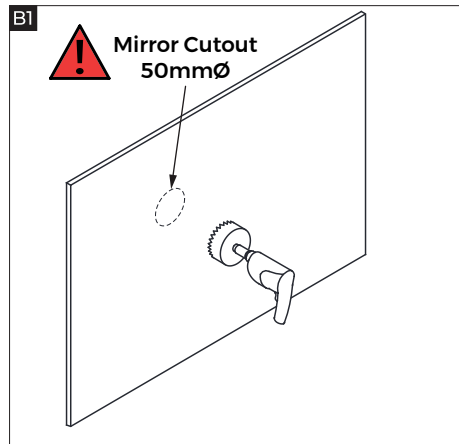
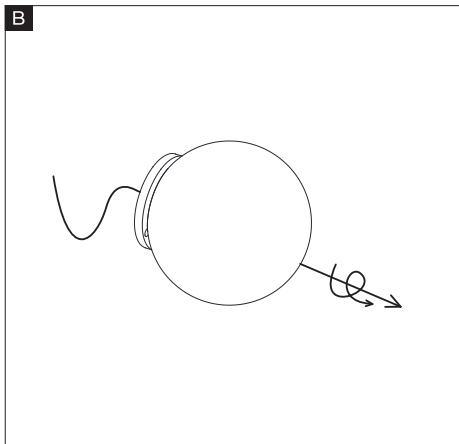


1. Please turn off the power before maintenance, installation or repair.
2. When using the product, please pay attention to the rated voltage and current as marked on the product label. Overload might cause electrical fire, physical injury and product damage.
3. Product usage shall conform to fire prevention regulation.
4. Please do not repair the product by yourself, as improper repair procedures might lead to electrical shock or other bad results.
5. If replacing components, please make sure to use the components approved by manufacturer only.
6. This product is for indoor use only.



## Mirror Installation



## Wall Installation

